

# PEDIATRIC BENCHES



## AN ALTERNATIVE, INEXPENSIVE PEDIATRIC BENCH

Designed specifically for the Pediatric Dental Practice, this patient friendly bench improves procedural flow and relieves anxiety. The optimal design allows for closer proximity between dentist and patient.

Multiple choices of laminate color for the bench cabinet and upholstery fabric for the bench top.

Standard features include:

- One piece upholstered top available in many colours
- Removable Headrest
- Foot Protector
- Integrated Drawer Storage with Three (3) Medium Drawers, Utility Access Panel
- Optional Control and Vacuum.

Visit our website for choice of colours <https://mccdental.com/pedo-bench-upholstery/>

**MCC**  
Modular & Custom Cabinets



### TAILORED SOLUTIONS

### FOR YOUR DENTAL PRACTICE

Custom Cabinets • Sterilization Centers • Rear Cabinets • Side Cabinets • Center Island Units • Mobiles • Orthodontic Mobiles • Lab Cabinets • Pediatric Benches

1-800-388-6236 | [www.mccdental.com](http://www.mccdental.com)

FOLLOW US ON THE MAJOR SOCIAL NETWORKS

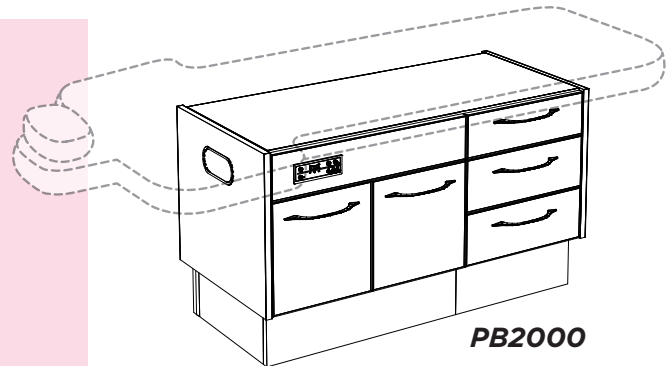


# PEDIATRIC BENCHES

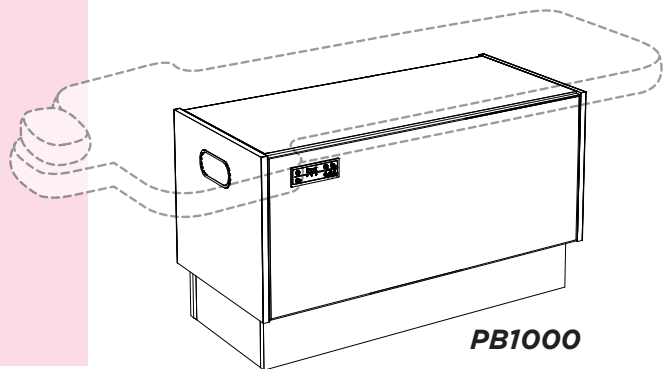
## PB2000 & PB1000

### KEY FEATURES

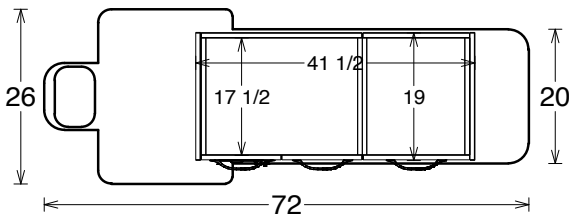
- Designed specifically for the Pediatric Dental Practice
- Available in other configurations of drawers and storage modules to integrate with most Pediatric office concepts (PB2000 only)
- Optional Doctor/Assistant Controls
- Multiple color selections for Laminate Colors and Upholstery choices.  
<https://mccdental.com/pedo-bench-upholstery/>
- Soft-close drawers and doors (PB2000 only)
- Water resistant polymer subbase with levelling legs



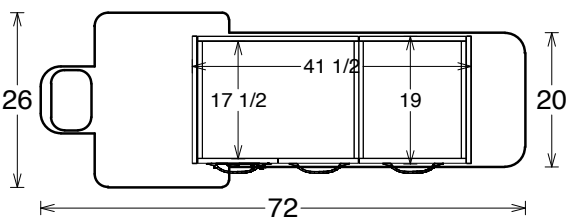
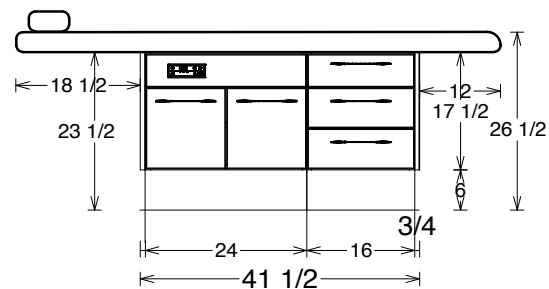
**PB2000**



**PB1000**



**PB2000**



**PB1000**

