

# DESIGN INNOVATIONS



MCC's new Signature Collection Rear is a celebration of craftsmanship, quality and design efficiency.

In tribute to our co-founder, Giovanni (John) Cocciardi, inspired by a half century of craftsmanship, quality and design efficiency, MCC's new **SIGNATURE Collection** ushers in a new era in dental cabinets for dental office environments. The Signature Collection embraces the best of the Classics line - supreme functionality, solidity and storage space but takes things one step further with a new generosity in storage space.



## SIGNATURE COLLECTION

Designed and built by



Dental Cabinet Systems



*Please contact your local MCC Sales Representative to learn more about our collections.*

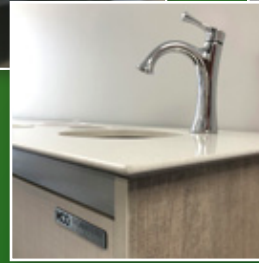
**TAILORED SOLUTIONS FOR YOUR DENTAL PRACTICE**

Custom Cabinets • Sterilization Centers • Rear Cabinets • Side Cabinets • Center Island Units • Mobiles • Orthodontic Mobiles • Lab Cabinets • Pediatric Benches

1-800-388-6236 | [www.mccdental.com](http://www.mccdental.com)

FOLLOW US ON THE MAJOR SOCIAL NETWORKS      

# CRAFTSMANSHIP



## Signature Rear Features:

- Lift up door system for easy access to cassettes and CPU
- Stainless steel valance with LED Task Lighting and panel mounted On/Off switch
- Flip down door with glove dispensers and storage for additional glove boxes
- Midsection includes; Medical grade Electrical outlets, USB Ports and glass shelf
- Midsection Side access storage for compact CPU
- Brushed Nickel Bar Pulls
- Soft Close Full Extension Drawers
- Water resistant Polymer Base with levelling legs
- Pro slide over cabinet monitor mount
- Quartz countertop with reverse bevelled edge profile

## Signature Side Features:

- Quartz countertop with reverse bevelled edge profile
- Undermounted stainless steel sink
- PVC edging
- MCC's new modern design
- Vented CPU storage
- Integrated receptacles for sharps, waste and bio waste
- Hardware and plumbing fixtures included
- Tapmaster hands free water activation
- Brushed nickel bar pulls
- Soft close drawers and doors
- Water resistant Polymer Base with levelling legs

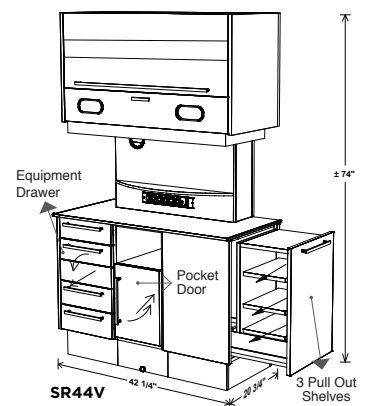
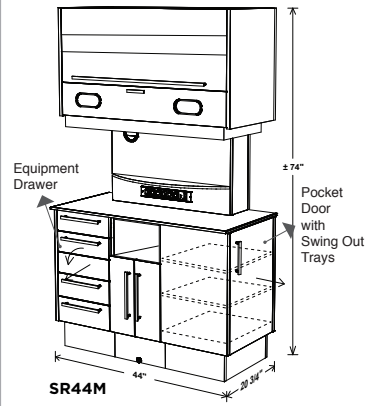
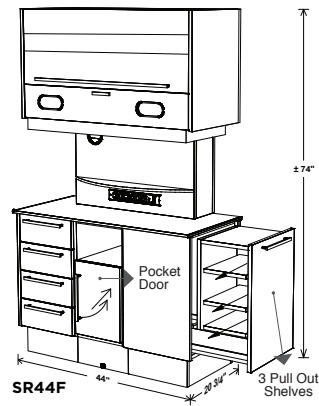
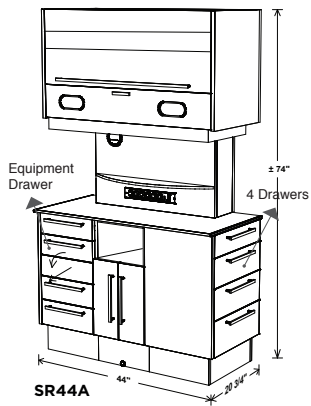
**SIGNATURE**  
COLLECTION

Designed and built by

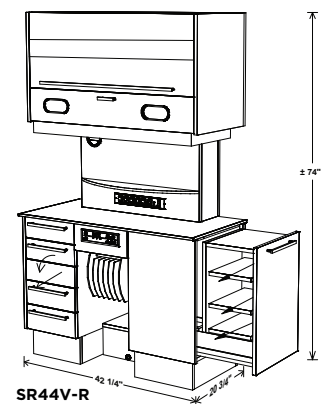
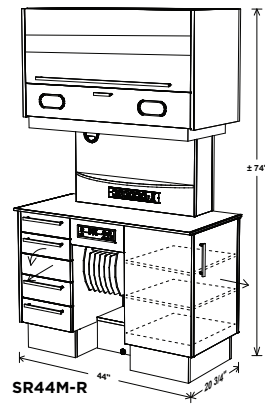
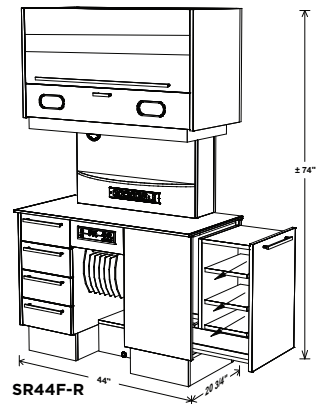
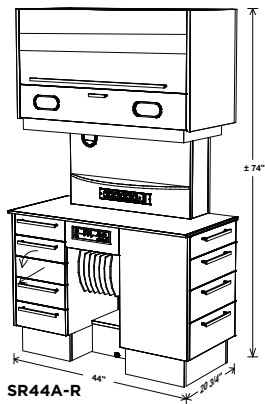
**MCC**  
Dental Cabinet Systems



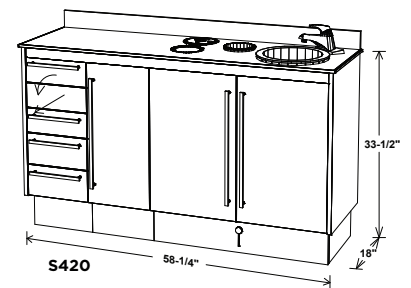
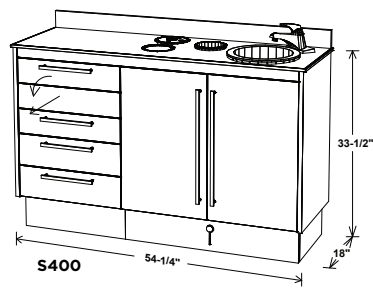
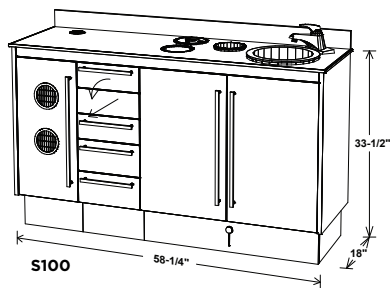
## Signature Rear Models



## Signature Rear Models with Retraction Systems



## Signature Side Models



**SIGNATURE**  
COLLECTION  
Designed and built by

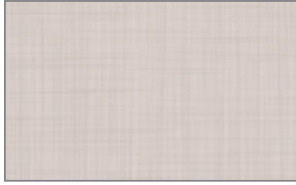
**MCC**  
Dental Cabinet Systems



# SIGNATURE COLLECTION

# Colors

## LAMINATES



TESSUTO • 70F *Textil*



GRIS GU • 71A *Textil*



MYSTIC PLOMO • 24V *Segá*



NOGAL SIROKO • 33F *Essence*

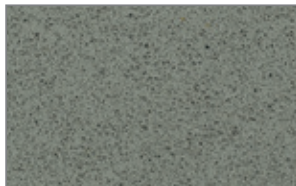


PINO CERVINO • 17G *Poro Arenado*



ROBLE STELLA • 74V *Atlas*

## QUARTZ COLLECTION by caesarstone<sup>®</sup> Quartz Surfaces



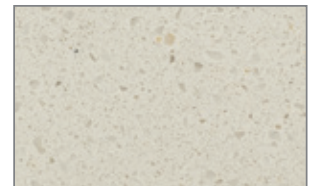
CEMENT • 3040



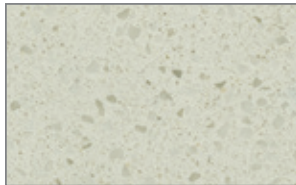
JET BLACK • 3100



CREME BRULE • 4255



OCEAN FOAM • 6141

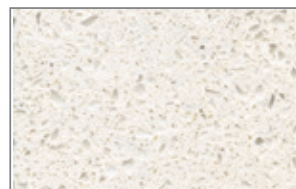


ICE SNOW • 9141

## QUARTZ COLLECTION by SILESTONE<sup>®</sup>



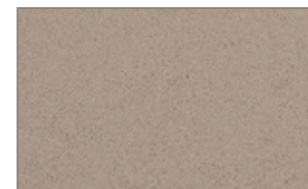
WHITE MIAMI



BLANCO MAPLE



BLANCO CITY



LENA



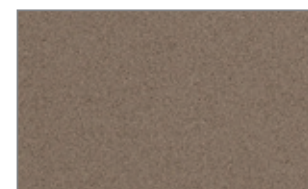
MARENGO



GREY EXPO



TEBAS BLACK



NOKA