

# DOUBLEWALL DRAWER SYSTEM



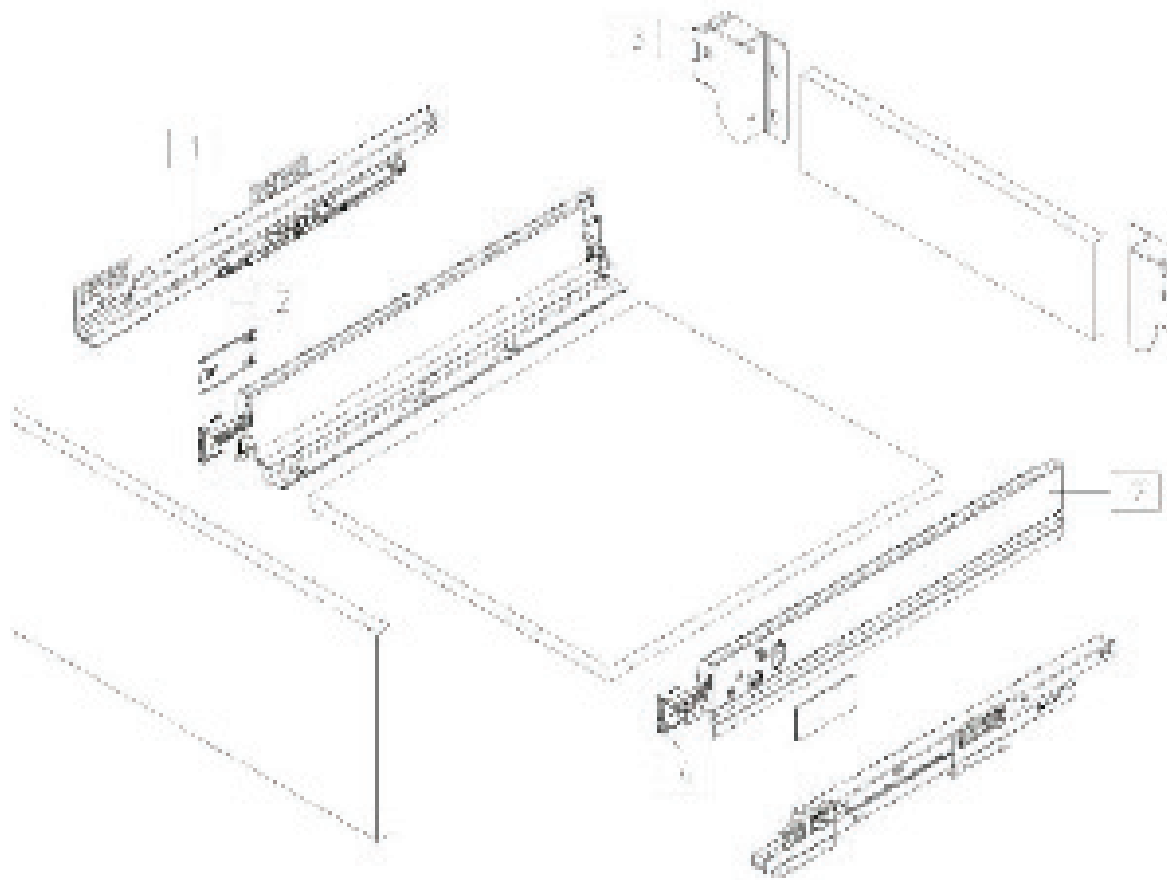
## FEATURES:

- Easy tool-free assembly and removal
- Silent system with Infinity Soft-close
- Fully Adjustable (Up/Down and Left/Right)
- Dynamic Load Capacity: 40kg (88lbs.)

Doublewall Drawer System Youtube Video

<https://www.youtube.com/watch?v=afepX-U-ROs>

# STANDARD DOUBLEWALL DRAWER SYSTEM KIT



## FEATURES:

- Slides with integrated Soft-Close
- Drawer Walls (83mm height)
- Back Brackets
- Cover Caps (with custom logo)

# DOUBLEWALL DRAWER SYSTEM WITH HIGH SIDES



Also available with High (115mm) Sides for a deeper drawer box.  
Same additional features as standard 83mm drawer.



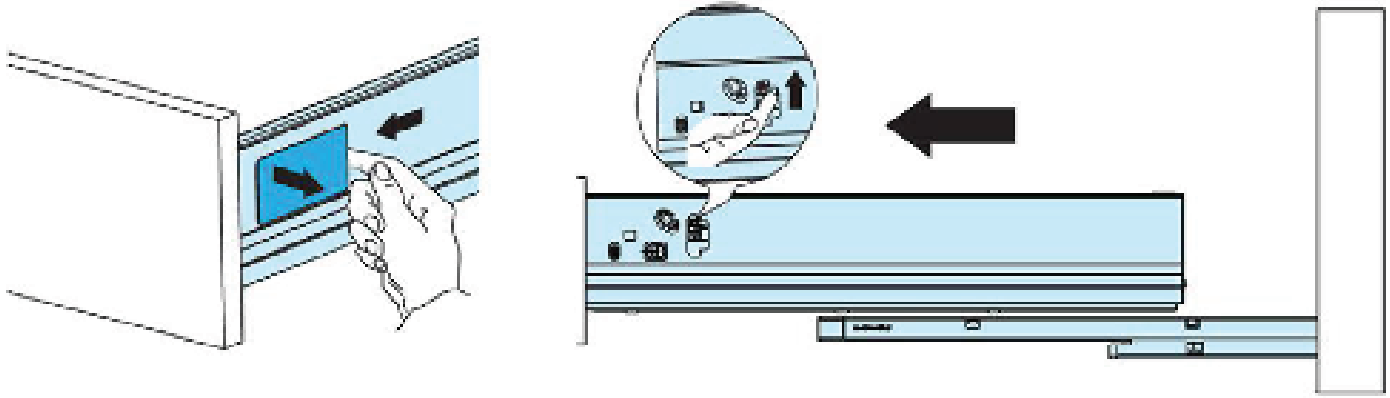
### POSSIBLE OPTIONS:

- Round Lateral Rails
- Square Lateral Rails
- Glass Boxsides
- Metal Boxsides

# DRAWER REMOVAL INSTRUCTIONS

1. Remove cover cap on both sides of drawer.

2. Use finger to release drawer on both sides and pull drawer forward to remove.



To re-install, place drawer on extended slides and push the drawer in fully. When it clicks, the lock will be engaged. Replace cover caps on both sides.

**Removal is Easy! But perhaps not so obvious...**

**Adjustments Up/Down and Left/Right are also hidden behind the cover cap.**

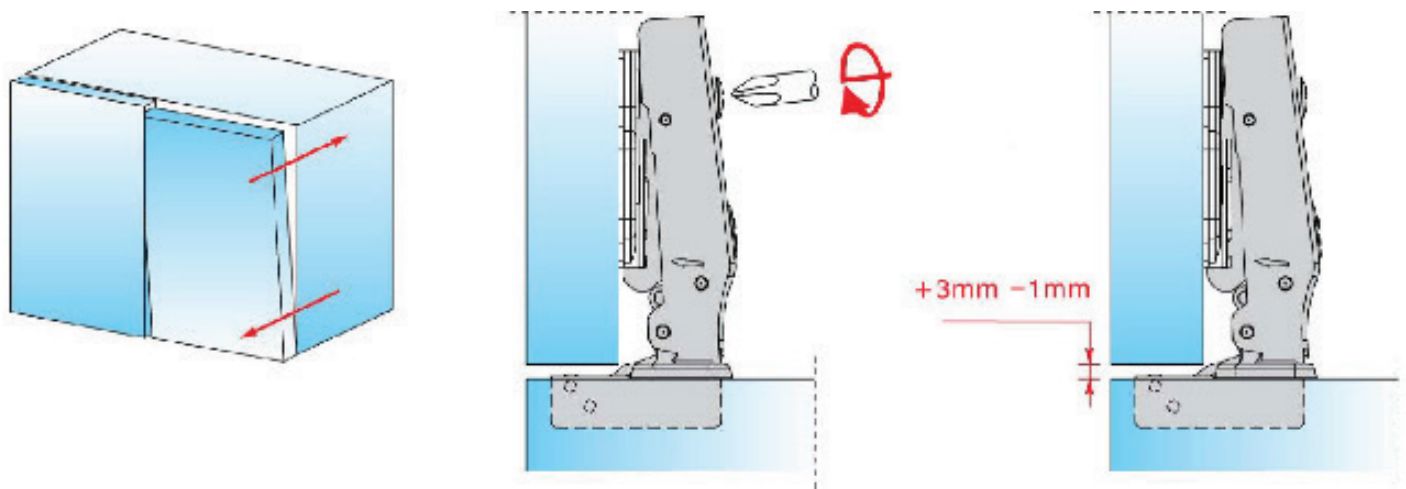
# SOFT-CLOSE HINGES



## FEATURES:

- New hinge with improved design and engineering
- Enhanced soft-close
- Relaxing opening with strong catch
- 2-way Cam Adjustment

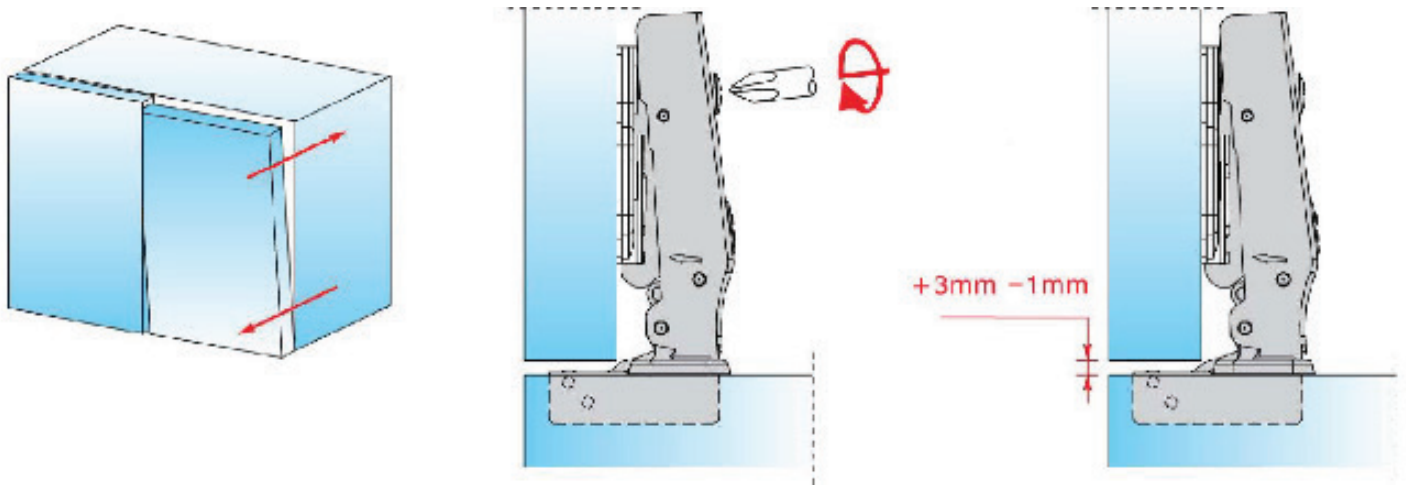
# HINGE ADJUSTMENTS - SIDE



Cam adjustment screw can be turned to move the door left and right.  
Adjustment range is from +2mm to -4mm.



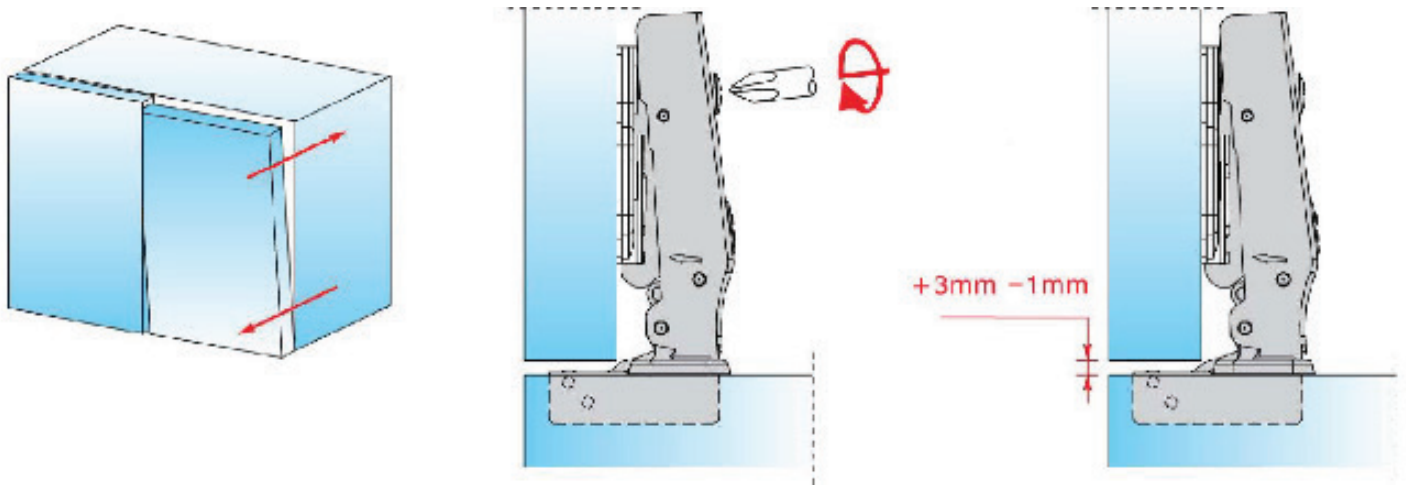
# HINGE ADJUSTMENTS - DEPTH



Cam adjustment screw can be turned to move the door in and out.  
Adjustment range is from +3mm to -1mm.



# HINGE ADJUSTMENTS - HEIGHT



Use cam adjustment on mounting plate to move the door up and down.

Adjustment range is from +2mm to -2mm.

Older style plates (as shown), just loosen mounting screws and slide.

Newer plates have cam. Just turn screw left/right to adjust up/down.